

SENSOLUX Solar Presence Detector Wireless / batteryless

SENSOLUX®

For greater lighting convenience and energy efficiency.

Sensolux solar presence detector
Item No. 300300 / E No. 204 300 009



Functions:

- ▲ Presence and motion detection
 - Light measurement
 - Switching the SENSOLUX switching actuator EC
 - Fully automatic unit: entering ON/leaving OFF
 - Semi-automatic unit: only leaving OFF
 - Various delayed switch-off times
 - Programming the switching actuator
- ▲ Studies show energy savings of > 20 %
- ▲ A world first thanks to Swiss Engineering

Technical data:

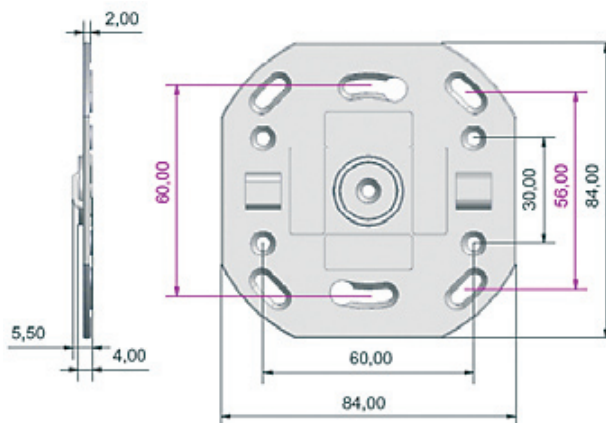
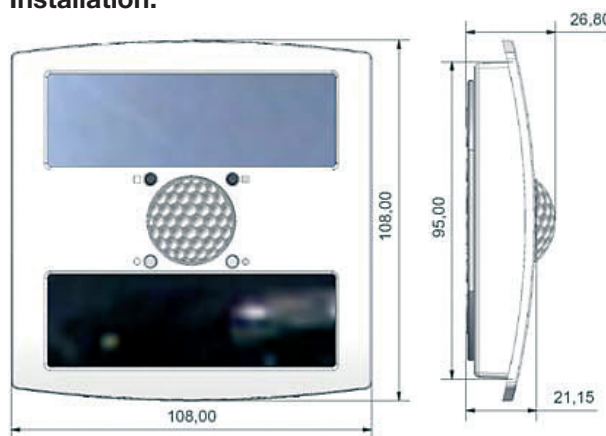
- ▲ Transmit frequency: 868.3 MHz
- ▲ Power supply:
 - as of 40–200 LUX solar cells
 - < 40 LUX 2 x 1.5 V/AAA
- ▲ Starting time: 5–10 minutes
- ▲ Ambient temperature: +10° to +50° C
- ▲ Enclosure: IP 50
- ▲ Approval: CE
- ▲ Detection zone:
 - Room height 2.5 m D = 5.0 m
 - Room height 3.0 m D = 6.0 m

Contents of packaging:

- ▲ SENSOLUX solar presence detector
- ▲ Mounting plate
- ▲ Installation Instructions in German
- ▲ Presence detector with autarkic energy source for ceiling installation indoors

- ▲ No cabling and no battery required, power from integrated solar panels
- ▲ Very simple and very fast installation allow low installation costs (mounting the presence detector with no wiring, no cutting and no drilling etc.)
- ▲ Maximum flexibility: presence detector can be repositioned at any time and thus meets the user requirements optimally
- ▲ Unit operates maintenance-free and ecologically
- ▲ Transmits data via radio (868.3 MHz) to SENSOLUX switching actuator EC
- ▲ Ideal for renovations or retrofitting in functional buildings such as offices or schools etc.
- ▲ Presence detector can be integrated easily in existing electrical wiring and combined via SENSOLUX switching actuator with conventional switches and/or ALADIN Easyclick radio buttons
- ▲ Operates only with SENSOLUX switching actuator EC (Item No. 300810) and SENSOLUX cable switching actuator (Item No. 300820)
- ▲ Optional equipping with 2 AAA batteries for dark cellars etc/battery service life approx. 5–8 years

Installation:



ALADIN
EASYCLICK